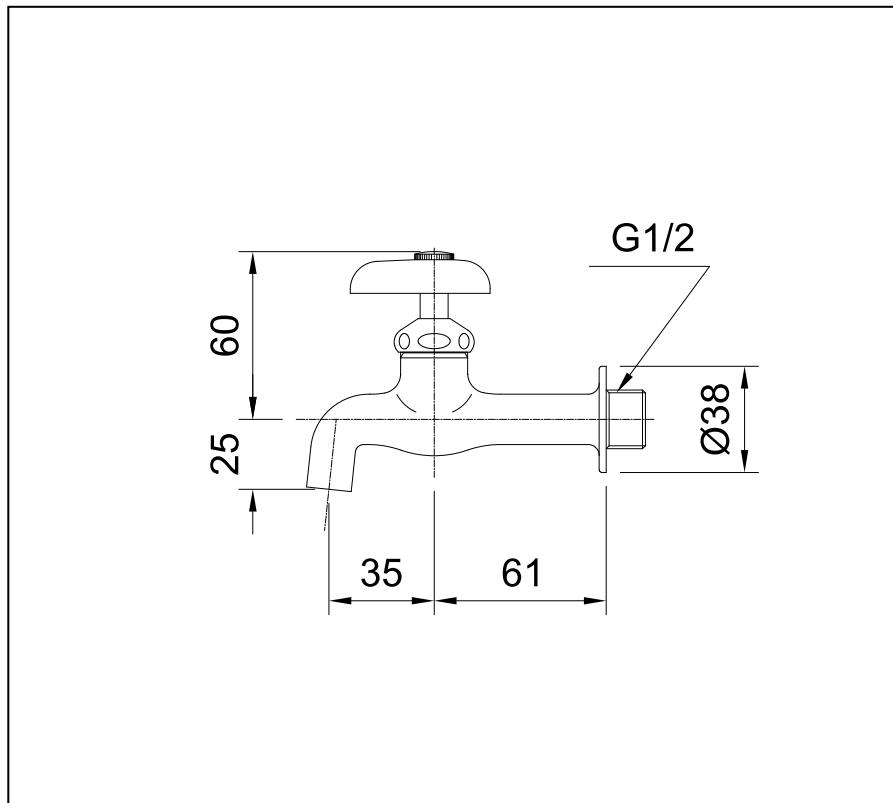


**F**eatures

- Durable finishes
- Brass valve bodies

Specifications

Water Pressure	: 0.05MPa - 0.75MPa
Material	: Brass
Finish	: Nickel Chrome

Drawing:**P**arts description

- **T23B13**
Sink Tap

Please consult a TOTO representative for details