

Stop Valve

HAP004A-F



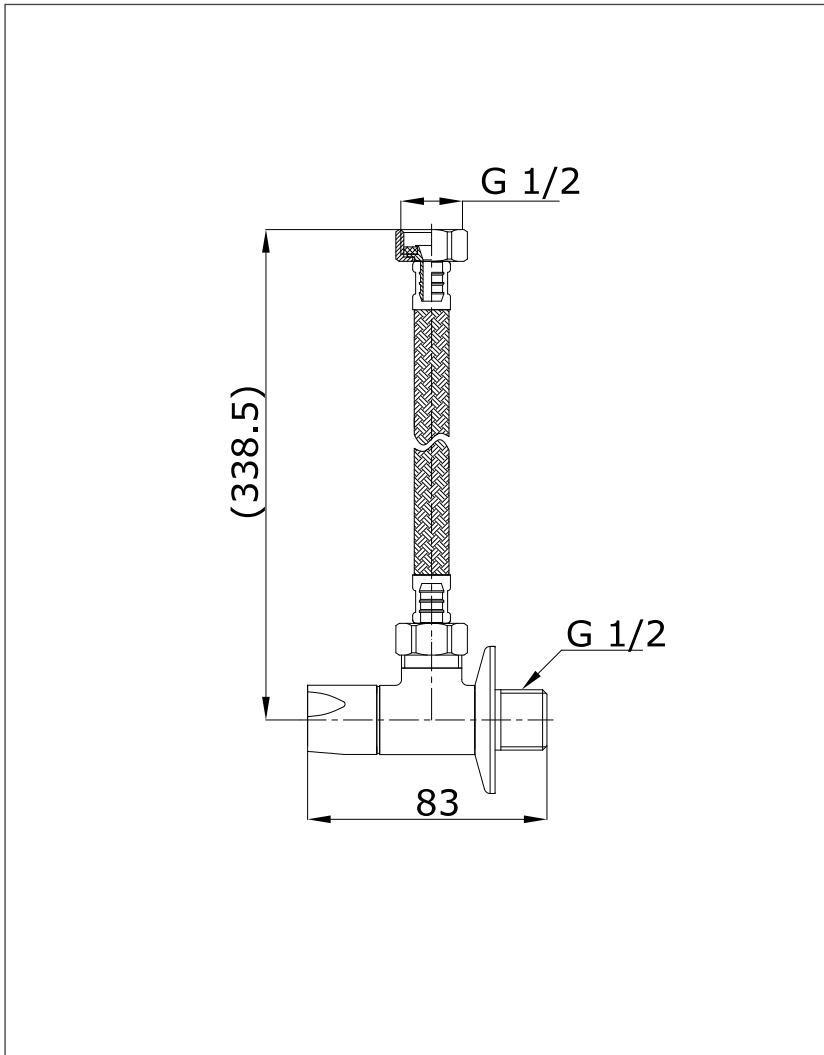
Features

- Simple Installation, easy to use

Specifications

Finish : Nickel Chrome

Material : Brass



Parts Description

- **HAP004A-F**

Stop Valve with Flexible Hose

Please consult a TOTO representative for details