

Stop Valve

HAP004A

Features

- Simple Installation, easy to use



Specifications

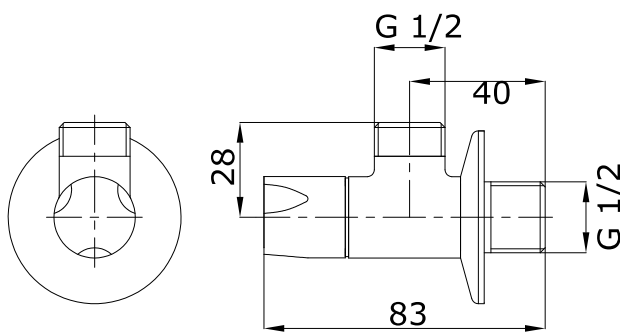
Finish : Nickel Chrome

Material : Brass

Parts Description

- **HAP004A**

Stop Valve



Please consult a TOTO representative for details