

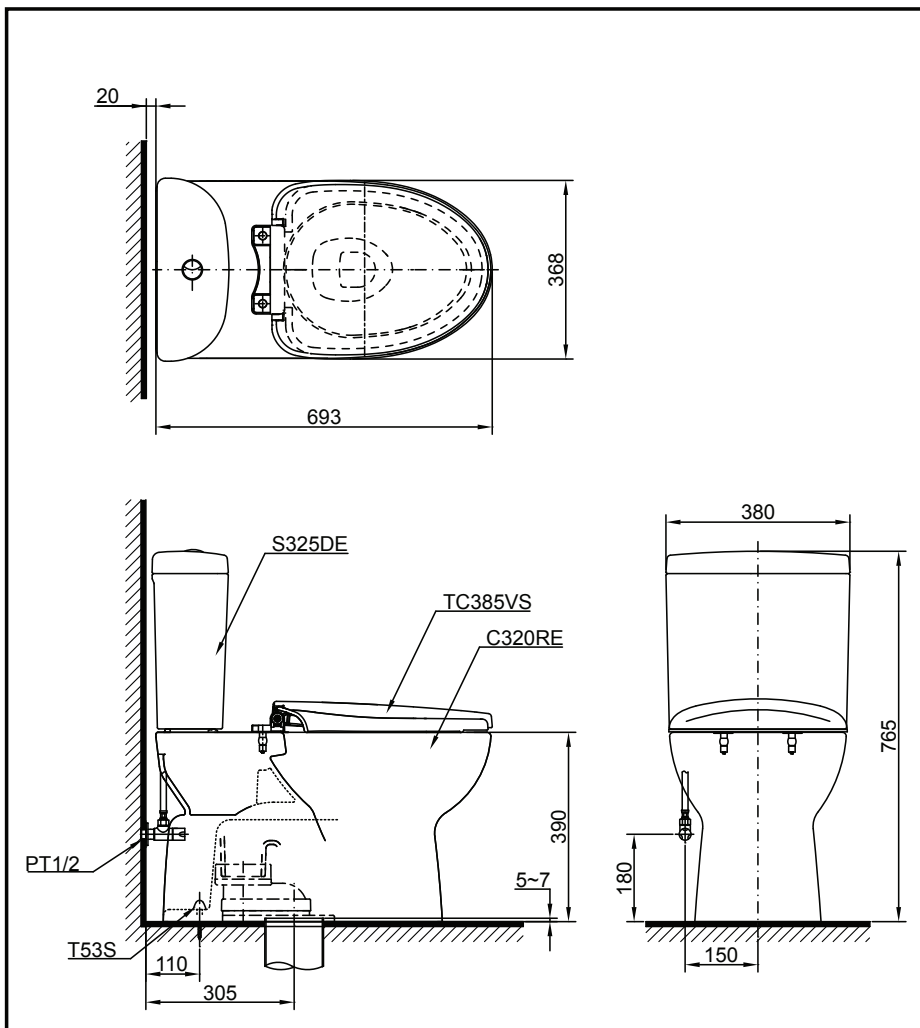


Features

- Stylish design, high profile Close Coupled Toilet
- Dual Flush System
- WATER SAVING

Specifications

Water Use	: 4.8L / 3L
Rough-in	: 305 mm
Bowl Shape	: Elongated
Water Pressure	: 0.05Mpa~0.75Mpa
Size	: 380W x 693D x 765H mm



Parts description

- **CST325**
Elongated Closet Bowl (S-Trap)
(Rough-in 305)
- **TC385VS**
Softclose Seat & Cover

Colors

White

Please consult a TOTO representative for details